

American MLV-UL Barrier

Technical Specification

American MLV-UL acoustic barrier is a specially developed flexible mass layer product designed to reduce air & structure borne noise transmission through walls, floors, & ceilings. UL is available in rolls that come in various weights & sizes to accommodate your acoustical needs. With STC ratings up to 27, American MLV-UL is ideal for use in hotels, homes, home theaters, classrooms, & any area where reduction of noise transmission is required.

ADVANTAGES

- Easy to use & install.
- A low cost solution for noise transmission problems.
- Available in one lb per square foot.
- UL approved for U300, U400, V400, L500
- Ideal for installation on wood or metal framing.

APPLICATIONS

- Home Theaters
- New Construction
- Hotels
- Music Studios
- Homes, Condos, & Apartments
- Medical Facilities
- Classrooms

Solve your noise concerns. Call today to get it right the first time 800-823-6817



Effective in new or existing Construction



Acoustic fill in between studs of privacy wall



Easily installed without need for specialty tools

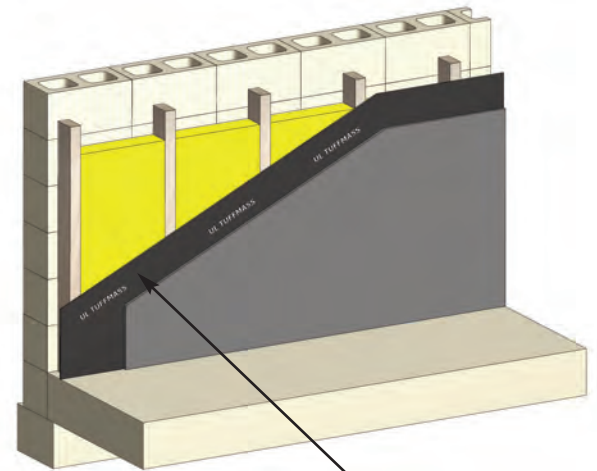
Acoustic Insulation				
Drawn by: R. Hertz	Size A	FSCM NO.	DWG NO. XXXXXXXXXX	REV -
Scale None			Sheet 1 of 1	

UL Rated Constructions

A good acoustic material must be manufactured to be easily installed into a wide range of applications as well provide an effective sound barrier. American MLV-UL comes in a range of roll sizes with the standard being a 4' x 25' roll for 1lb material. These rolls of American MLV UL are easily handled on the job site and can be installed without the need for specialty tools.

American MLV UL is UL listed for use in a wide range of wall and ceiling constructions. As a material that is listed for use in U300, U400, V400, L500 American MLV UL rated should be your first choice for a safe, easy to use, and most importantly quiet material.

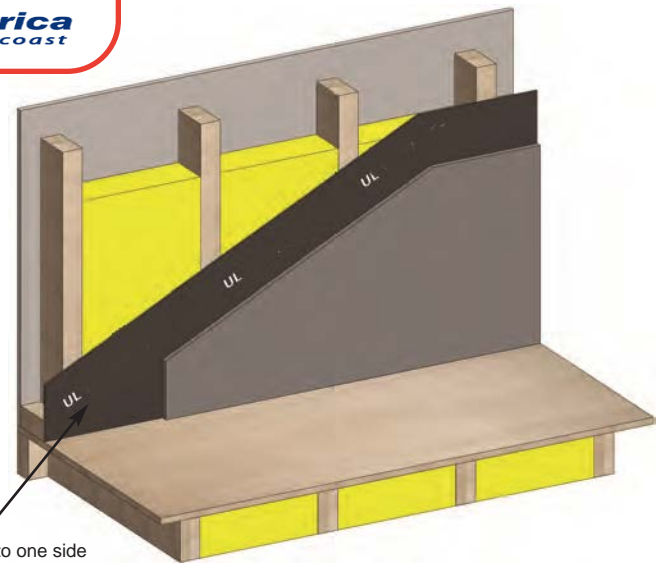
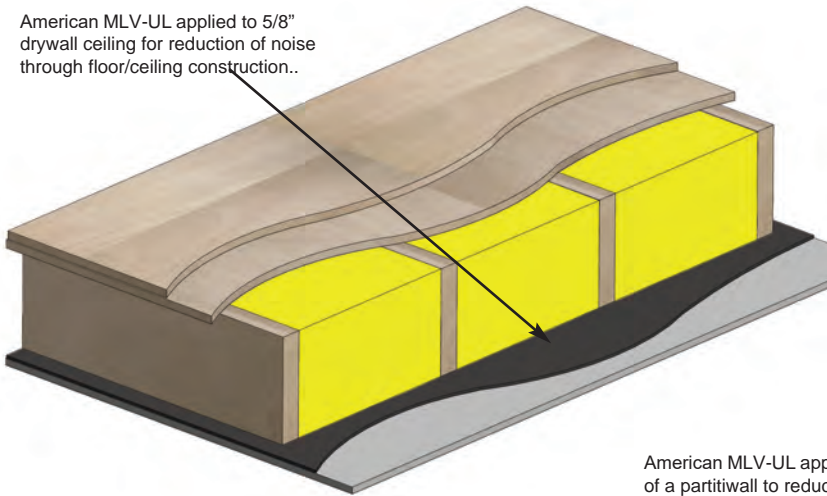
Soundproofing America's staff is available to help you integrate American MLV-UL and other products for the quietest results in your construction.



American MLV-UL applied to an exterior wall to reduce transmission into the occupied spaces.

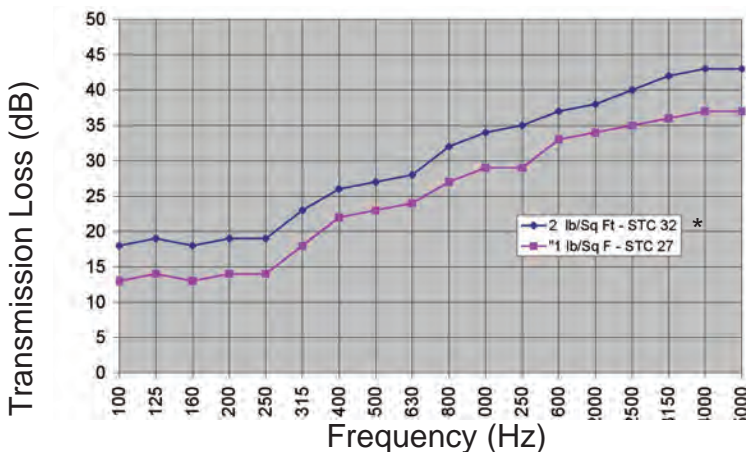


American MLV-UL applied to 5/8" drywall ceiling for reduction of noise through floor/ceiling construction..



American MLV-UL applied to one side of a partitwall to reduce noise between rooms.

Transmission Loss



American MLV is available in 0.5lb/sqft, 1lb/sqft, 1.5lb/sqft and 2lb/sqft. The UL rating applies to 1lb American MLV-UL. American MLV-UL is listed under file # R25047 and American MLV-UL, must be specified at time of order.

All statements herein are expression of opinion that we believe to be accurate and reliable, but are presented without guaranty or responsibility on our part.